

BENELLI SHOTGUN TRAINING

Equipment Familiarization and General Information



In a world of compromise, some don't.

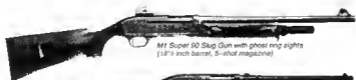
M1 SUPER 90 SHOTGUNS



M1 Super 90 Slug Gun (18½ inch barrel, 5-shot magazine)



M1 Super 90 Defense (18½ inch barrel, 5-shot magazine)



*M1 Super 90 Slug Gun with ghost ring sights
(18½ inch barrel, 5-shot magazine)*



*M1 Super 90 Entry Gun (14 inch barrel, 5-shot magazine)
special licensing required*



HK GHOST RING SIGHTS

Benelli M1 and M3 shotguns are available with a specially designed ghost ring sighting system. The ghost ring sighting system enables a shooter to keep both eyes open while focusing on the front sight.

The rear sight becomes a softly focused "ghost ring" image to the shooter. This innovative sighting system ensures fast and effective target acquisition. The ghost ring sighting system is currently being used by many law enforcement agencies and military units. Trism sights are available as an optional accessory for all M1 & M3 shotguns fitted with ghost ring sights, including the 18½ inch barrel variants.

I. INTROOUCTION:

- A. INTROOUCE MEMBERS OF STAFF.
- B. HAVE STUOENTS INTROOUCE THEMSELVES.

II. GOAL

EACH STUDENT SHOULO BE INSTRUCTEO IN THE CORRECT NOMENCLATURE, OPERATION AND HANLING OF THE LAW ENFORCEMENT MI AND M3 SHOTGUN. EACH STUDENT SHOULO BE GIVEN THE OPPORTUNITY TO FIRE THE SHOTGUN.

III. OBJECTIVE

STUDENT WILL OEEVELOP BASIC TRAINING EXPERIENCE, WHICH WILL ALLOW INOIVIDUAL SKILL DEVELOPMENT.

IV. SAFETY

V. DEFINITION OF A SHOTGUN

VI. LAW ENFORCEMENT AND MILITARY USE OF THE SHOTGUN

VII. BENELLI SHOTGUN INTROOUCTION

VIII. THE BENELLI SHOTGUN SYSTEM

IX. NOMONCLATURE

X. FIELO STRIP

XI. BENELLI MI SUPER 90 ASSEMBLY

XII. BOLT DISASSEMBLY \ REASSEMBLY

XIII. LOAOING

XIV. COMBAT LOAOING

XV. REPLACING THE CARTRIOGE IN THE CHAMBER

XVI. UNLOADING FROM THE MAGAZINE

XVII. GUN MOUNT

XVIII. SHOOTING POSITIONS

- XIX. SLING CARRY POSITION
- XX. SHOTGUN AMMUNITION
- XXI. AMMUNITION MANAGEMENT
- XXII. MAINTENANCE \ STORAGE
- XXIII. CLOSING
- XXIV. RANGE SAFETY

IV. SAFETY - YOUR PRIMARY RESPONSIBILITY!

YOUR FIRST RESPONSIBILITY WHEN HANDLING ANY FIREARM IS TO KNOW IF IT IS LOADED OR UNLOADED. ALWAYS POINT THE FIREARM IN A SAFE DIRECTION, REGARDLESS OF WHETHER THE FIREARM IS LOADED OR UNLOADED.

A. SAFETY WITH FIREARMS.

1. ALL FIREARMS ARE ALWAYS LOADED.
2. NEVER LET THE MUZZLE COVER ANYTHING YOU ARE NOT WILLING TO DESTROY.
3. KEEP YOUR FINGER OFF THE TRIGGER UNTIL YOUR SIGHTS ARE ON THE TARGET.
4. BE SURE OF YOUR TARGET AND WHAT IS BEYOND IT.

B. CHECK EACH WEAPON YOURSELF!

1. NO MATTER HOW MANY TIMES YOU HANDLE IT, EVEN THOUGH YOU HAVE CLEARED IT BEFORE OR SOMEONE ELSE HAS HANDLED IT OR CHECKED IT.
2. DO NOT RELY ON SOMEONE ELSE! OR YOUR MEMORY. CHECK IT AGAIN! ALWAYS CONSIDER A WEAPON LOADED UNTIL YOU PERSONALLY, PHYSICALLY AND VISUALLY CHECK IT.

C. WEAPONS CHECK.

1. SAFETY IN THE SAFE OR ON POSITION.
2. ACTION OPEN.
3. VISUALLY AND PHYSICALLY CHECK CHAMBER AND MAGAZINE FOR AMMO.
4. MUZZLE POINTED IN A SAFE DIRECTION AT ALL TIMES.
5. FINGER OUT OF TRIGGER GUARD UNLESS YOU ARE GOING TO SHOOT.

V. DEFINITION OF A SHOTGUN.

THE SHOTGUN DIFFERS FROM OTHER FORMS OF FIREARMS. IN THAT IT FIRES A NUMBER OF PROJECTILES CALLED SHOT, INSTEAD OF A SINGLE PROJECTILE. ONCE THEY ARE FIRED FROM THE WEAPON, THESE PROJECTILES START SPREADING OUT. THE AREA COVERED BY THE SHOT PELLETS IS CALLED THE PATTERN. THE SIZE OF THE PATTERN IS DETERMINED BY THE SIZE OF THE SHOT, DISTANCE AND CHOKE OF THE RESPECTIVE SHOTGUN. A RULE OF THUMB ON THE SIZE OF THE PATTERN OF A POLICE SHOTGUN IS, FOR EVERY YARD OF DISTANCE THE PATTERN GROWS ONE INCH IN DIAMETER. AS AN EXAMPLE, 40 YARDS DISTANCE EQUALS A 40" CIRCULAR PATTERN. THE AREA COVERED BY THE SHOTGUN'S PATTERN IS, THEREFORE, CONSIDERABLY LARGER THAN THE SINGLE PROJECTILE FIRED FROM A RIFLE OR HANDGUN. CONSEQUENTLY, SHOTGUNS ARE GENERALLY THE CHOICE FOR MOVING TARGETS AND ARE EASIER TO LEARN TO HIT WITH.

VI. LAW ENFORCEMENT AND MILITARY USE OF THE SHOTGUN.

- A. OVER THE YEARS THE USE OF THE SHOTGUN HAS INCREASED BOTH IN LAW ENFORCEMENT AND IN THE MILITARY.
- B. WHEN PROPERLY LOADED, THE SHOTGUN IS THE APPROPRIATE WEAPON FOR A VARIETY OF SITUATIONS.
- C. THE SHOTGUN IS A TRIPLE-THREAT WEAPON. IT CAN BE USED AS A SHOTGUN, RIFLE OR TEAR GAS DELIVERY SYSTEM. THESE ADVANTAGES ARE NOT AVAILABLE IN ANY OTHER WEAPON.
- D. THE SPREAD OF THE SHOT PATTERN ENHANCES THE SHOOTER'S ABILITY TO HIT WITH A SINGLE SHOT.
- E. TRAINING NOVICE SHOOTERS TO THE POINT OF COMPETENT USE IS MORE READILY ACCOMPLISHED WITH THE SHOTGUN THAN MOST OTHER WEAPONS.
- F. SHOTGUNS ARE COMPARATIVELY INEXPENSIVE AND HAVE LONG LIFE. COMPARED TO THE COST OF OTHER SPECIALTY WEAPONS, SUCH AS MACHINE PISTOLS, THE SHOTGUN IS RELATIVELY INEXPENSIVE.
- G. PSYCHOLOGICAL VALUE IN CRITICAL SITUATIONS, THE OFFICER'S SHOTGUN IS A SYMBOL OF POWER AND AUTHORITY, THE SHOTGUN ADDS CONFIDENCE TO THE OFFICER.
- H. THE CRIMINAL SUFFERS A CONSIDERABLE LACK OF CONFIDENCE WITH THE APPEARANCE OF A SHOTGUN - ARMED OFFICER.
- I. THE SHOTGUN IS USED BY BOTH LAW ENFORCEMENT AND MILITARY ALL OVER THE FREE WORLD.

VII. BENELLI SHOTGUN INTRODUCTION

- A. HECKLER & KOCH, INC. (U.S.A.) IS THE SOLE IMPORTER OF THE BENELLI SHOTGUN LINE INTO THE U.S.A. THE BENELLI LINE IS MARKETED THROUGH THE SAME CHANNELS OF DISTRIBUTION AS OTHER HK FIREARMS.

- B. ALTHOUGH THERE ARE NUMEROUS VARIATIONS OF BENELLI SHOTGUNS, WE WILL FOCUS ON THE .12 GAUGE MI SUPER 90, ITS VARIATIONS, AND THE M3 SUPER 90 PUMP/AUTO SHOTGUN FOR L&E USE.

VIII. THE BENELLI SHOTGUN SYSTEM

NO OTHER SEMI-AUTOMATIC SHOTGUN SHOOTS LIKE A BENELLI. THE M1 SUPER 90 BENELLI CAN BOAST OF UNSURPASSED RELIABILITY, SPEED (THE ABILITY TO FIRE FIVE SHOTS IN LESS THAN ONE SECOND - THE FIFTH SHELL IS EJECTED BEFORE THE FIRST SHELL HITS THE GROUND), EASE OF OPERATION, DISASSEMBLY, AND MAINTENANCE DUE TO THE REVOLUTIONARY ROTARY LOCKING BOLT HEAD DESIGN. RELIABILITY, SPEED AND VERSATILITY ARE CHARACTERISTICS OF ALL BENELLI SHOTGUNS.

THE BENELLI M1 SUPER 90 SHOTGUN OPERATES WITH AN INERTIA RECOIL, SPRING-ACTUATED ACTION, WHICH INCLUDES THE EXCLUSIVE "MONTEFELTRO" ROTATING BOLT, FEATURING TWIN LOCKING LUGS THAT LOCK INTO THE BARREL JUST LIKE A BOLT ACTION RIFLE. THIS PROVIDES A FAR STRONGER LOCKUP THAN OTHER SEMI-AUTO SHOTGUNS WHICH FEATURE A SINGLE LUG.

RECOIL OPERATED MEANS NO GAS PORTS, RINGS, LINKAGE, GAS PISTON TO COLLECT POWDER RESIDUE. NO ACTION BARS TO BREAK OR WEAR-OUT. NO "O" RINGS TO REPLACE. FAST RELIABLE FIRING AND CYCLING WITH ALL STANDARD 2 3/4" AND 3" MAGNUM LOADS.

THE ENTIRE FUNCTION OF THE SHOTGUN IS CONTAINED IN THE BOLT! WHEN THE SHOTGUN IS FIRED THE SPRING POSITIONED BETWEEN THE BOLT HEAD AND BOLT IS COMPRESSED BY THE INERTIA OF THE BOLT AS THE FIREARM BEGINS TO RECOIL. WHEN THIS SPRING IS FULLY COMPRESSED, IT OVERCOMES THE FORWARD INERTIA OF THE BOLT AND PUSHES IT TO THE REAR UNLOCKING THE BOLTS TWIN LOCKING LUGS AND EXTRACTING THE FIRED CARTRIDGE CASE RE-COCKING THE WEAPON AND CHAMBERING A FRESH ROUND. A RECOIL SPRING MOUNTED BEHIND THE BOLT FURTHER DELAYS THE OPENING OF THE ACTION UNTIL AFTER THE SHOT HAS LEFT THE BARREL. SAFE, SIMPLE AND FAST!

THE ADVANTAGE OF THE BENELLI INERTIA RECOIL SYSTEM IS SPEED, WITH VERY LITTLE INCREASE IN RECOIL DUE TO THE BOLT SYSTEM'S REVERSE ACTION TO REARWARD MOVEMENT. WHEN THE BENELLI FIRES, THE BOLT SYSTEM MOVES FORWARD, AWAY FROM THE STOCK, IN ORDER TO COMPRESS ITS RECOIL SPRING WHICH HELPS TO REDUCE FELT RECOIL. THE BENELLI CAN ALSO OPERATE WITHOUT FIRM SUPPORT AND SHOOT IN ANY POSITION.

THE BENELLI IS ABOUT A POUND LIGHTER THAN A STANDARD SEMI-AUTO SHOTGUN DUE TO NO GAS CHAMBERS, PISTON AND LINKAGES.

WHILE MOST SHOTGUNS HAVE A FIXED EJECTOR THE BENELLI'S SPRING LOADED EJECTOR MEANS CONSTANT RELIABLE EJECTION WITH ALL TYPES OF 2 3/4" AND 3" LOADS.

IX. NOMENCLATURE - REFER TO HANO-OUT \ WALL CHART.

A. STOCK

1. SYNTHETIC - HIGH IMPACT POLYMER.
2. RUBBER RECOIL PAD.
3. MOLDED CHECKERING.
4. SLING SLOT MOLDED INTO CENTER OF THE BUTT.
5. DEFENSE - PISTOL GRIP BUTT STOCK.
6. REMOVE WITH A 13mm SOCKET WRENCH.

B. RECEIVER.

1. HIGH STRENGTH ALUMINUM ALLOY FOR WEIGHT AND BALANCE.
2. WILL NOT RUST AFTER HANDLING.

C. EJECTION PORT

1. LOCATION - RIGHT FRONT SIDE OF RECEIVER.
2. EXIT PORT FOR FIRED SHELLS.
3. USED FOR LOADING AND UNLOADING.

D. BOLT.

1. MONTEFELTRO ROTATING BOLT SYSTEM

- A. THE ENTIRE FUNCTION OF THE WEAPON IS IN THE BOLT
- B. NO TOOLS NEEDED FOR DISASSEMBLY

E. CARRIER BUTTON.

1. RELEASES BOLT.

F. REAR SIGHT.

1. RIFLE TYPE.
2. WINDAGE ADJUSTMENT ONLY, BY USE OF AN ALLEN WRENCH.
3. OPTIONAL - GHOST RING SIGHTING SYSTEM - PROVIDES QUICK TARGET ACQUISITION FOR THE SHOOTER.

G. BARREL

1. LENGTH

A. M1 & M3 SLUG GUN - 19 3/4"

B. ENTRY GUN - 14"

2. CHAMBERED FOR ALL STANDARD FACTORY 2 3/4" & 3".

3. BORE IS CHROMIUM PLATED.

4. CHOKED - CYLINDER.

5. INTERCHANGEABLE WITHOUT TOOLS.

6. COLD HAMMER FORGED FOR OPTIMUM STRAIGHTNESS AND UNIFORM PATTERNS.

M. FRONT SIGHT

1. BLADE TYPE - NO ADJUSTMENT.

I. MAGAZINE TUBE

1. M1

A. 7-ROUND FULL PIECE TUBE - SLUG GUN.

B. 3-ROUND FULL PIECE TUBE - FIELD GUN.

C. 4-ROUND EXTENSION KIT
(CONVERTS M1 W/3 ROUND MAG. TO 7-ROUND).

D. 2-ROUND EXTENSION KIT
(CONVERTS M1 W/3 ROUND MAG. TO 5-ROUNDS FOR
ENTRY GUN).

2. M3

A. 7-ROUND TUBE ONLY.

J. BARREL BAND

1. BARREL - MAGAZINE RETAINING RING.

2. SCREW CAN BE LOOSENED WITH A KEY OR COIN.

K. RING

1. SWIVEL RING - FRONT SWIVEL ATTACHMENT.
2. 3-POSITIONS

L. FOREARM

1. SYNTHETIC - HIGH IMPACT POLYMER.
2. MOLOED CHECKERING.
3. LASER PRODUCTS, TACTICAL LIGHT
REPLACEMENT FOREARM - MODEL 616.

M. LOADING PORT

1. LOCATION - BOTTOM FRONT OF RECEIVER.
2. USED FOR LOADING AND UNLOADING MAGAZINE.
3. EASY TO LOAD OR UNLOAD DUE TO "FREE" CARRIER.
4. INSTANT VISUAL CHECK OF MAGAZINE.

N. CARRIER

1. THE CARRIER RECEIVES A LIVE ROUND FROM THE MAGAZINE LEVEL OF THE RECEIVER AND AS THE BOLT TRAVELS FORWARD THE CARRIER RISES AUTOMATICALLY TO POSITION THE CARTRIDGE FOR INTRODUCTION INTO THE CHAMBER BY THE BOLT.
2. HAS TO BE IN "FREE" NOOE TO LOAD OR UNLOAD MAGAZINE.

O. CARTRIDGE DROP LEVER

1. LOCATION - THE END OF THE CARTRIDGE DROP LEVER PROTRUDES FROM THE RIGHT SIDE OF THE RECEIVER, ABOVE THE TRIGGER, AND IS MARKED WITH A RED DOT. WHEN THE DOT IS VISIBLE, THE HAMMER IS COCKED AND THE WEAPON IS READY TO FIRE.
2. THE RED DOT ON THE CARTRIDGE DROP LEVER, WHEN VISIBLE, INDICATES THE CARRIER IS "FREE" AND THE MAGAZINE CAN BE LOADED.
3. IF THE CARTRIDGE DROP LEVER IS DEPRESSED BEFORE LOADING THE CARRIER LOOSES IT'S "FREE" STATUS.
4. TO FREE THE CARRIER ON A COCKED WEAPON SIMPLY DEPRESS THE CARRIER LATCH BUTTON AND LOAD NORMALLY.
5. ON AN UN-COCKED WEAPON, PULL BOLT TO THE REAR AND RELEASE IT, COCKING THE WEAPON.
6. WHEN DEPRESSED THE CARTRIDGE DROP LEVER RELEASES A SHELL FROM THE MAGAZINE ON A LOADED WEAPON.
7. ON AN UNLOADED WEAPON, THE CARTRIDGE DROP LEVER HAS TO BE DEPRESSED TO LOCK THE BOLT TO THE REAR.

P. SAFETY

1. CROSS BOLT TYPE LOCATED AT THE REAR OF THE TRIGGER.
2. APPLY THE SAFETY CATCH BY MOVING THE SAFETY BUTTON ON THE TRIGGER GUARD TO THE LEFT UNTIL THE RED PART OF THE BUTTON, WHICH INDICATES THE FIRING POSITION, IS NO LONGER VISIBLE.

O. SWIVEL PLATE

1. REAR SLING ATTACHMENT.

X. FIELD STRIP THE BENELLI HI SUPER 90.

- A. ENGAGE THE SAFETY
- B. LOCK BOLT TO THE REAR.
- C. VISUALLY AND PHYSICALLY CHECK THE CHAMBER AND MAGAZINE.
- D. REMOVE THE BARREL-MAGAZINE TUBE RETAINING RING.
- E. UNSCREW THE FORE END CAP AND REMOVE FROM MAGAZINE TUBE TOGETHER WITH THE STRAP SWIVEL.
- F. REMOVE BARREL AND FOREARM UNIT FROM MAGAZINE TUBE.
- G. DEPRESS CARRIER LATCH AND LET BOLT GO FORWARD SLOWLY.
- H. REMOVE COCKING LEVER (BOLT HANDLE) FROM BOLT.
- I. TIP RECEIVER FORWARD TO ALLOW THE BOLT TO SLIDE OUT OF THE RECEIVER.
- J. REMOVE TRIGGER GUARD PIN.
- K. REMOVE TRIGGER GUARD.

XI. BENELLI M1 SUPER 90 ASSEMBLY

- A. DEPRESS THE CARRIER BUTTON AND INSERT TRIGGER GROUP WITH THE HAMMER COCKED.
- B. INSERT TRIGGER GUARD PIN.
- C. HOLD RECEIVER AT A 45 DEGREE ANGLE AND INSERT BOLT ASSEMBLY.
NOTE: INSURE BOLT LINK ENGAGES WITH RECOIL SPRING PLUNGER BY DEPRESSING BOLT TO THE REAR. IF THE BOLT DOES NOT MOVE REPOSITION BOLT UNTIL BOLT MOVES TO THE REAR FREELY.
- D. INSTALL BOLT HANDLE INTO BOLT.
- E. INSTALL THE PLAIN WASHER AND LOCK WASHER IN THEIR CORRECT POSITIONS IN THE FOREARM. NOTE: THE FLAT WASHER MUST BE INSTALLED INTO THE FOREARM FIRST. THE SPRING WASHER SHOULD BE SANOWICHD BETWEEN THE BARREL ATTACHMENT RING AND FLAT WASHER.
- F. INSTALL FOREARM AND BARREL AS A COMPLETE UNIT.
- G. INSTALL SLING SWIVEL AND FORE END CAP AS A UNIT.
NOTE: INSURE THAT SLING SWIVEL CAN NOVE ON ITS SEAT AFTER THE FORE END CAP IS TIGHTENED.
- H. INSTALL BARREL-MAGAZINE TUBE RETAINING RING IN PROPER LOCATION INOICATED BY INDENTION IN MAGAZINE TUBE.
- I. CHECK FUNCTIONING OF WEAPON.

XII. BENELLI M1 SUPER 90 BOLT - DISASSEMBLY \ REASSEMBLY

NOTE: NO TOOLS NECESSARY FOR DISASSEMBLY.

- A. REMOVE FIRING PIN RETAINING PIN TAKING CARE TO HOLD IN THE FIRING PIN SO THAT IT IS NOT EXPELLED BY THE FIRING PIN SPRING.
- B. REMOVE THE FIRING PIN AND THE FIRING PIN SPRING FROM THE BOLT. NOTE: FIRING PIN CAN BE USED AS PUNCH TO REMOVE TRIGGER GUARD PIN IN FIELD STRIPPING.
- C. REMOVE THE LOCKING HEAD PIN FROM ITS SEAT.
NOTE: THE REFERENCE LINE ON TOP OF THE PIN WHICH IS USED IN REASSEMBLY.
- D. REMOVE THE BOLT LOCKING HEAD FROM THE BOLT.
- E. REMOVE THE INERTIA SPRING (RECOIL SPRING) FROM ITS SEAT.
- F. REASSEMBLE IN REVERSE ORDER.

NOTE: IF THE FIRING PIN AND RETAINING PIN ARE CORRECTLY INSTALLED, THE FIRING PIN WILL BE VISIBLE. RETAINING PIN SHOULD NOT BE INSTALLED BEHIND FIRING PIN.

XIII. LOADING -

THE UNIQUE BENELLI LOADING SYSTEM FEATURES A FREE CARRIER THAT ALLOWS THE MAGAZINE TO BE LOADED ONE HANDED. NO BUTTONS TO PUSH.

LOAD THE MAGAZINE THEN THE CHAMBER OR LOAD THE CHAMBER THEN THE MAGAZINE.

LOAD THE MAGAZINE THEN DEPRESS THE CARTRIDGE RELEASE LEVER TO PLACE A CARTRIDGE ON THE CARRIER FOR CYCLING INTO THE CHAMBER.

ON MOST SEMI-AUTOMATIC SHOTGUNS A SHELL IS RELEASED FROM THE MAGAZINE AND CHAMBERED WHEN EVER THE BOLT IS MOVED REARWARD. THIS MEANS TO CHANGE A SHELL IN THE CHAMBER YOU MUST MANUALLY UNLOAD THE ENTIRE MAGAZINE.

THIS MEANS YOU CAN SAFELY UNLOAD THE CHAMBER OR REPLACE THE SHELL IN THE CHAMBER WITH A DIFFERENT TYPE OF LOAD.

YOU CAN CARRY THE SHOTGUN WITH A LOADED MAGAZINE A SHELL ON THE CARRIER AND EMPTY CHAMBER. JUST WORKING THE BOLT LOADS THE CHAMBER.

IF THE CHAMBER IS LOADED AND A SHELL IS ALREADY ON THE CARRIER, THE SHOTGUN STILL FUNCTIONS FLAWLESSLY.

DURING RELOADING A SHELL SLIPS OFF THE SHOOTERS THUMB WHEN LOADING THE MAGAZINE THE SITUATION WILL JAM MOST SHOTGUNS, BUT NOT THE BENELLI.

WHEN THE TRIGGER IS PULLED THE MAGAZINE AUTOMATICALLY RELEASES A SHELL ONTO THE CARRIER FOR LOADING.

THIS MEANS A SHELL IS ALREADY IN POSITION ON THE CARRIER BEFORE THE FIRED SHELL IS EVEN EJECTED. "ONE STEP AHEAD OF OUR COMPETITION".

NOTE: IF THE ACTION IS NOT COMPLETELY CLOSED (BOLT FORWARD) WHEN TRYING TO LOAD THE MAGAZINE, THE SHELL WILL JAM.

XIV. COMBAT LOADING - LOAD WHAT YOU SHOOT!

FROM THE SHDULDER OR READY POSITION POINT THE WEAPON AT THE TARGET AT ALL TIMES. WITH THE WEAK HAND, LOCATING THE LOADING PORT IN FRONT OF THE TRIGGER GUARO, INSERT ROUND INTO PORT, PUSHING IT INTO THE MAGAZINE WITH THE THUMB. WITHOUT REMOVING YOUR EYES FROM THE TARGET.

XV. REPLACING THE CARTRIDGE IN THE CHAMBER

A. MANUAL REPLACEMENT

1. TO REPLACE THE CARTRIDGE IN THE CHAMBER, ENGAGE THE SAFETY CATCH AND PULL THE BOLT TO THE REAR.
2. THE CARTRIDGE IN THE CHAMBER IS EXTRACTED AND EJECTED FROM THE WEAPON. INSERT A NEW CARTRIDGE IN THE EJECTION PORT AND RELEASE THE BOLT.
3. THE BOLT WILL PUSH THE NEW CARTRIDGE IN THE CHAMBER AND STOP IN THE CLOSED POSITION.
4. THE ABILITY TO REMOVE OR REPLACE A SHELL IN THE CHAMBER WITHOUT EMPTYING THE ENTIRE MAGAZINE GIVES THE M1 UNMATCHED TACTICAL FLEXIBILITY.

XVI. UNLOADING - FROM THE MAGAZINE

- A. ENGAGE SAFETY
- B. LOCK BOLT TO THE REAR.
- C. VISUALLY AND PHYSICALLY CHECK THE CHAMBER.
- D. RELEASE BOLT ON AN EMPTY CHAMBER
- E. OVERTURN THE WEAPON AND PUSHING THE CARRIER DOWN, PRESS THE FRONT OF THE CARRIER LATCH WITH THE INDEX FINGER OF YOUR RIGHT HAND.
- F. THE CARTRIDGES WILL BE RELEASED ONE BY ONE INTO YOUR HAND. THE CARRIER LATCH MUST BE PRESSED FOR EACH RELEASED CARTRIDGE.
- G. NOTE: INSURE THE PRIMER OF EACH CARTRIDGE IS PROTECTED AS THEY ARE RELEASED FROM THE MAGAZINE.

XVII. GUN MOUNT

- A. BUTT OF THE STOCK PLACED INTO HOLLOW OF SHOULDER OF STRONG HAND. HOLLOW OF SHOULDER IS FORMED BY RAISING STRONG ARM HORIZONTAL TO SHOULDER GRASPING WEAPON BY PISTOL GRIP.
- B. WEAK HAND - GRASP FOREARM.
- C. SAFETY IS MOVED TO THE OFF POSITION AND TRIGGER FINGER PLACED ON TRIGGER AS YOU MOUNT WEAPON TO FIRE AND NOT BEFORE.
- D. SIGHT ALIGNMENT.
- E. WEAPON IS FIRED AS SOON AS THE STOCK IS IN POSITION.

XVIII. SHOOTING POSITIONS

A. NORMAL SHOOTING POSITIONS

1. STANDING - SHOULDER
2. STANDING - HIP
3. KNEELING

B. DEFENSIVE SHOOTING POSITIONS

1. GUN READY POSITION ~ MUZZLE UP \ OUTDOOR CARRY

- A. BUTT STOCK ABOUT WAIST LEVEL.
- B. FOREARM OF STRONG HAND LAYS ALONG SIDE OF THE BUTT STOCK.
- C. WEAK HAND GRIPS THE FOREARM OF THE SHOTGUN.
- D. FRONT SIGHT OF THE SHOTGUN IS BROUGHT UP IN A DIRECT LINE BETWEEN THE EYES AND TARGET.

1. EYES

2. MUZZLE \ SIGHT

3. TARGET

E. EYES AND MUZZLE OF THE WEAPON MOVE IN UNISON.

2. GUN READY POSITION - MUZZLE DOWN \ INDOOR CARRY

A. BRING BUTT STOCK TO SHOULDER IN NORMAL MANNER.

B. STRONG HAND ON PISTOL GRIP

C. WEAK HAND ON FOREARM

D. MUZZLE OF THE SHOTGUN POINTING AT THE GROUND, OUTSIDE OF AND EVEN WITH THE FRONT OF WEAK FOOT.

3. MOVEMENT IN EITHER OF THESE POSITIONS WOULD BE TAKING A STEP FORWARD WITH THE WEAK FOOT BRINGING THE STRONG FOOT TO REAR AT REAR OF WEAK FOOT.

A. STEP - CLOSE - STEP

4. ADVANTAGES

A. MUZZLE CONTROL

B. MOVING IN-DOOR POSITIONS

C. DEMONSTRATE ADVANTAGES WITH STUDENTS.

D. DEMONSTRATE ENTERING A ROOM.

XIX. SLING CARRY POSITIONS

A. MUZZLE UP - STRONG SIDE

1. SAFETY DN
2. STRONG SIDE CARRY
3. GRASP FOREARM WITH WEAK HAND IN FIRING POSITION
4. DISMOUNT, KEEPING MUZZLE UP
5. GRASP PISTOL GRIP WITH STRONG HAND
6. MOUNT IN A NORMAL MANNER
7. FIRE

B. MUZZLE DOWN - WEAK SIDE

1. SAFETY DN
2. WEAK SIDE CARRY
3. GRASP FOREARM WITH WEAK HAND
4. DISMOUNT
5. BRING MUZZLE FORWARD AND UP IN FRONT OF YOU
6. ROTATE WEAK HAND INTO FIRING POSITION
7. GRASP PISTOL GRIP WITH STRONG HAND
8. MOUNT IN NORMAL MANNER
9. FIRE

XX. SHOTGUN AMMUNITION - SHOTSHELL

- A. INSURE YOUR SHOTGUN AND AMMUNITION ARE COMPATIBLE.
- B. USE THE CORRECT AMMUNITION REFERENCED BY THE STAMPING ON THE BARREL OF YOUR SHOTGUN.
1. INSPECT BARREL MARKINGS FOR PROPER GAUGE AND SHELL LENGTH.
 2. .12 GAUGE - 2 3/4" OR 3".
 3. .12 GAUGE - 2 3/4" WILL WORK IN 3" CHAMBER BUT NOT CONVERSELY.
- C. THERE ARE THREE BASIC TYPES OF CONVENTIONAL SHOTSHELL AMMO AVAILABLE.
1. BIRDSHOT
 - A. LOADED PRIMARILY FOR THE HUNTING OF BIRDS.
 - B. THE LARGER THE BIRD HUNTED THE LARGER THE SHOT SIZE SHOULD BE.
 - C. ALSO USED FOR SKEET AND TRAP SHOOTING.
 - D. THE SMALLER THE SHOT SIZE IDENTIFICATION THE LARGER THE INDIVIDUAL PELLETS.
 2. BUCKSHOT - .12 GAUGE 2 3/4"
 - A. LOADED PRIMARILY FOR HUNTING OF LARGE GAME.
 - B. THE LARGER THE SIZE OF PELLETS THE FEWER THE PELLETS IN EACH ROUND.
 - C. .12 GAUGE 2 3/4" BUCKSHOT COMPARISON.

SHOT SIZE	PELLET CALIBER	NO. OF PELLETS
#4	.24	27
#1	.30	16
#0	.32	12
#00	.33	9
#000	.36	8

- D. THE MOST COMMON SIZE SHOT USED FOR L&E OUTY IS #00 BUCK. WHEN USED AS AN ANTI-PERSONNEL WEAPON, THE SHOTGUN WITH #00 BUCK IS AN EFFECTIVE MAN-STOPPER COMPARED WITH OTHER POLICE FIREARMS, AT CLOSE RANGES, NO OTHER POLICE ARMS MATCHES IT'S SHOCKING POWER.

3. SLUG. - .12 GAUGE 2 3/4" - 1 OUNCE

- A. THE .12 GAUGE SLUG IS A SINGLE LEAD PELLET OF APPROXIMATELY .72 CALIBER, WHICH MEANS IT IS NEARLY TWICE THE DIAMETER OF THE .38 SPECIAL.
- B. THE PROJECTILE LEAVES THE MUZZLE AT A VELOCITY OF 1860 FEET PER SECONO, MORE THAN TWICE THE SPEED OF THE .38 SPECIAL SERVICE LOAD.
- C. THE SLUG HAS 2365 FOOT POUNOS OF ENERGY AT THE MUZZLE, MORE THAN TEN TIMES THE ENERGY OF THE .38 SPECIAL SERVICE LOAO.
- O. WITH SPECIAL SIGHTS IT IS EASY FOR THE AVERAGE MARKSMAN TO KEEP ALL HITS WITHIN A 10 " CIRCLE AT 75 YAROS.
- E. WHEN SHOOTING SLUGS WITH A STANOARD BEAD FRONT SIGHT AIM 8 TO 10 INCHES LOWER THAN WHERE YOU WANT THE SHOT PLACED AT 25 YARDS.

XXI. AMMUNITION MANAGEMENT

- A. KNOW WHERE YOUR EXTRA AMMO IS LOCATED.
- B. DO NOT MIX SLUGS AND BUCKSHOT IN SAME AREA - KEEP SEPARATE
- C. IF POSSIBLE COLOR CODE SLUGS\BUCKSHOT BY USING DIFFERENT MANUFACTURERS.

EXAMPLE:

SLUGS - RED (FEDERAL \ WINCHESTER)

BUCKSHOT - GREEN (REMINGTON)

- D. ROUND IN CHAMBER CAN BE VISUALLY CHECKED FOR COLOR.
- E. LOAD WEAPDN WITH ONE TYPE OF AMMO ONLY (SLUGS OR BUCK) KEEPING THE OTHER READILY AVAILABLE.
- F. DO NOT LOAD MAGAZINE TO FULL CAPACITY. ALLOW FOR SELECTION OF PROPER RDUNDS.

XXII. MAINTENANCE \ STORAGE - INSURE WEAPON IS UNLOADED - SAFETY ON.

MAKE SURE ALL SURFACES ARE COATED WITH A THIN FILM OF OIL. AFTER BEING EXPOSED TO DAMP WEATHER, MAKE CERTAIN FIREARM IS UNLOADED, THEN WIPE BORE AND METAL SURFACES THOROUGHLY AND APPLY A NEW FILM OF OIL. SHOULD YOU GUN BE EXPOSED TO HEAVY RAIN, SNOW OR SALT SPRAY, A MORE THOROUGHLY CLEANING IS REQUIRED. PARTIAL DISASSEMBLY OF THE FIREARM IS NECESSARY. FOR EXTENDED PERIODS OF STORAGE, APPLY GREASE TO THE BORE AND OTHER METAL PARTS AND STORE IN A DRY PLACE. DO NOT PLUG BARREL OR STORE IN A FABRIC LINED CASE WHICH WILL ABSORB LUBRICANTS FROM THE FIREARM. BEFORE USE AFTER STORAGE A PREVENTIVE INSPECTION SHOULD BE PERFORMED BEFORE GOING INTO THE FIELD.

XXIII. CLOSING

- A. SHOTGUN EXPERTS AROUND THE WORLD, WHO HAVE LONG MAINTAINED THAT THE PUMP-ACTION SHOTGUNS ARE MORE RELIABLE THAN SEMI-AUTOS ARE HAVING TO RE-THINK THEIR POSITIONS. BECAUSE THE BENELLI DESIGN IS FASTER, AND DEFINITELY MORE RELIABLE THAN GAS-OPERATED SEMI-AUTOS, THEY ARE NOW BEING INCORPORATED INTO POLICE AND MILITARY ARSENALS NOT ONLY IN THE U.S., BUT IN MANY OTHER COUNTRIES AROUND THE GLOBE.

XXIV. RANGE SAFETY.

A. NOT ON FIRING LINE.

1. SAFETY IN THE ON OR SAFE POSITION.
2. ACTION OPEN.
3. VISUALLY AND PHYSICALLY CHECK CHAMBER AND MAGAZINE FOR AMMO.
4. MUZZLE POINTED IN A SAFE DIRECTION AT ALL TIMES.
5. NO PERSONAL AMMO.

B. ON FIRING LINE.

1. WEAPON POINTED DOWN RANGE.
2. LISTEN TO INSTRUCTIONS.
3. LOAD ONLY ON COMMAND.
4. NO PERSONAL AMMO - AMMO WILL BE ISSUED.
5. EYE PROTECTION.
6. EAR PROTECTION.
7. CLEAR AND UNLOAD WEAPON BEFORE LEAVING FIRING LINE.

Tavole parti di ricambio - Benelli part list - Nomenclature des pièces de rechange

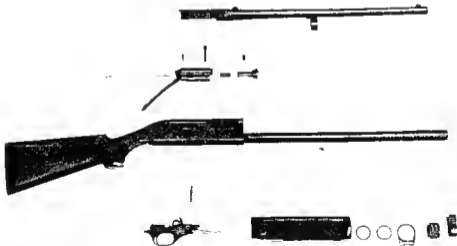
Per ordinare i pezzi di ricambio è indispensabile precisare il calibro, il modello e la matricola del fucile.

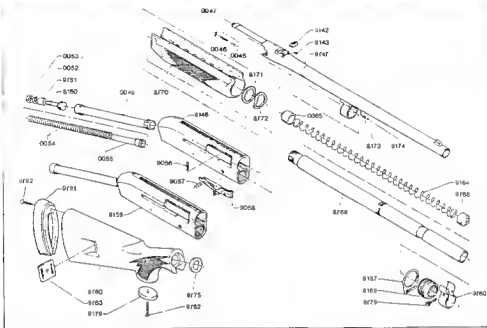
To order the spare parts you must tell us exactly the gauge, the model and the serial number of your shotgun.

Pour commander les pièces de rechange est indispensable préciser le calibre, le modèle et la matricule du fusil.



Benelli M1 Super 90 Shotgun





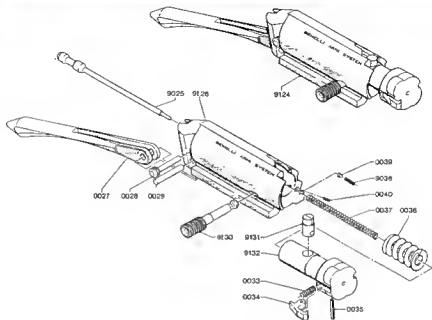
9141 Gruppo canna - culatella
 9142 Tacca di mira
 9143 Vite per tacca di mira
 0045 Perno espulsore
 0046 Molla per perno espulsore
 0047 Spina elastica
 9146 Carcasa
 0049 Tubo guida molla biella
 9150 Vite per dado serraggio calcio
 9151 Distanziale per calcio
 0052 Rosetta elastica per calcio
 0053 Dado per serraggio calcio
 0054 Molla della biella
 0055 Guida molla biella
 9056 Spina elasti. fiss. leva fermo cartuccia
 9057 Leva fermo cartuccia
 9058 Molla richiamo leva fermo cartuccia
 9159 Assieme carcassa - tubo guida molla biella

 9160 Calcio
 9161 Calcolo
 9162 Vite autofilante
 9163 Piastrino portabreccia
 9164 Molla del serbatoio
 0065 Cappelletto spring cartuccia
 9166 Tubo serbatoio
 9167 Anello portabreccia sul cappelletto
 9168 Tappo per tubo serbatoio
 9169 Cappelletto fissaggio estesa
 9170 Astina
 9171 Rosetta piena
 9172 Rosetta elastica
 9173 Molla per sfera posizione cappelletto
 9174 Sfera posizionamento cappelletto
 9175 Anello guida calcio
 9178 Tappo per calcio a pistola
 9179 Vite fissaggio anello unione canna tubo serbatoio
 9180 Anello unione canna tubo serbatoio

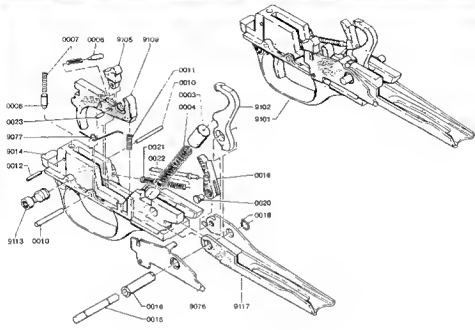
Braech and barrel assy
 Front sight
 Front sight screw
 Ejector pin
 Ejector pin spring
 Ejector spring retaining pin
 Receiver
 Recoil spring tube
 Stock retaining nut screw
 Spacer
 Elastic washer
 Stock retaining nut
 Recoil spring
 Recoil spring plunger
 Carrier latch pin
 Carrier latch
 Carrier latch spring
 Receiver assembly

 Stock
 Butt plate
 Self-threaded screw
 Swivel plate
 Magazine spring
 Magazine follower
 Magazine tube
 Ring
 Magazine tube plug
 Fore-end cap
 Fore-end
 Washer
 Spring washer
 Cap retaining ball spring
 Cap retaining ball
 Ring
 Plug
 Barrel retaining screw
 Barrel-magazine tube retaining ring

Ensemble de culasse et canon
 Crén de mire
 Vis pour tacca di mira
 Axe d'éjecteur
 Ressort de l'axe d'éjecteur
 Goupille élastique
 Carcasse
 Tube guide de ressort de bielle
 Vis pour écrou de la crosse
 Entoilage
 Rondelle élastique de la crosse
 Écrou de la crosse
 Ressort de bielle
 Guide ressort de bielle
 Axe du levier d'arrêt de cartouche
 Levier d'arrêt cartouche
 Ressort du levier d'arrêt cartouche
 Ensemble de carcasse et tube guide ressort de la bielle
 Crosse
 Plaque de couche
 Vis auto-tardeuses
 Grenadière
 Ressort du magasin
 Cuvette du magasin
 Tube du magasin
 Anneau
 Bouchon pour tube du magasin
 Capuchon avant
 Devant bois
 Rondelle
 Rondelle élastique
 Ressort bille d'arrêt du capuchon
 Bille d'arrêt du capuchon
 Bague
 Bouchon
 Vis de fixation anneau d'assemblage canon
 Anneau d'ass. canon-tube magasin



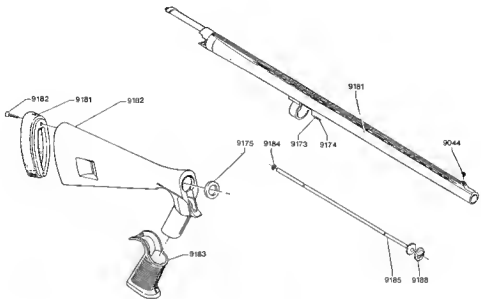
9124	Gruppo otturatore	Bolt assembly	Obturbatore compl
9025	Percussore	Firing pin	Percuteur
9126	Otturatore	Bolt	Oblurateur
0027	Bielle	Link	Bielle
0028	Perno arresto percussore	Firing pin retaining pin	Goupille d'arrêt percuteur
0029	Perno rotazione bielle	Link pin	Goupille de bielle
9130	Manette di armamento	Bolt handle	Manette d'armement
9131	Perno rotazione teste di chiusura	Locking head pin	Axe de la tête de fermeture
9132	Teste di chiusura	Locking head	Tête de fermeture
0033	Molle dell'estrattore	Extractor spring	Ressort d'extracteur
0034	Estrellore	Extractor	Extracteur
0035	Spine elastica	Extractor pin	Goupille d'extracteur
0036	Molle rinculo otturatore	Inertia spring	Ressort de rappel
0037	Molle del percussore	Firing pin spring	Ressort du percuteur
9038	Molle ritegno manetta	Bolt handle retaining spring	Ressort de maintien de manette
0039	Perno ritegno manetta	Bolt handle pin	Axe de manette
0040	Spine elastica	Bolt handle spring retaining pin	Goupille de ressort de manette



- 9101 Gruppo guardia
 9102 Cana
 0003 Boccola guida molla cane
 0004 Molla del cane
 9108 Dente agganciamento di sicurezza
 0006 Guida molla dente agganciamento di sicurezza
 0007 Molla sicura e meno a dente agganciamento di sicurezza
 0008 Pistoncino guida molla sicura a mano
 9109 Grilletto
 0010 Spina per grilletto e battuta grilletto
 0011 Molla richiamo grilletto
 0012 Spina elastica
 9113 Bottone sicuro a mano
 9014 Guardia
 0015 Perno fissaggio guardia
 0016 Bussoia per perno fissaggio guardia
 9117 Elevatore
 0018 Molla per perno fissaggio guardia
 0019 Dente arresto otturatore
 0020 Perno per dente arresto otturatore
 0021 Molla selezionatore elevatore
 0022 Perno guida dente arresto otturatore
 0023 Perno per dente agganciamento di sicurezza
 9076 Leva discesa cartuccia
 9077 Molla leva discesa cartuccia

- Trigger group assembly
 Hammer
 Hammer spring cap
 Hammer spring
 Disconnecter
 Disconnecter plunger
 Safety plunger spring
 Hand safety plunger
 Trigger
 Trigger pin
 Trigger spring
 Safety spring retaining pin
 Hand safety
 Trigger guard
 Trigger guard pin
 Trigger pin bush
 Carrier
 Trigger guard pin spring
 Breech bolt latch
 Breech bolt latch pin
 Carrier spring
 Carrier spring plunger
 Disconnecter pin
 Cartridge drop lever
 Cartridge drop lever spring

- Sous-garde, compl
 Chian
 Cuvette de ressort du chien
 Ressort du chien
 Dent d'accrochage
 Guide de ressorti dent d'accrochage
 Ressort de sûreté al dent d'accrochage
 Piston da ressort da sûreté
 Détente
 Axe du détente
 Ressort rappel de détente
 Goupille d'arrêt du ressort de sûreté
 Bouton de sûreté
 Sous-garde
 Axe de sous-garde
 Baguet de l'axe de sous-garde
 Elevateur
 Ressort de l'axe de sous-garde
 Dent d'arrêt d'obturateur
 Axe de dent d'arrêt d'obturateur
 Ressort d'élevateur
 Guide de la dent d'arrêt obturateur
 Axe de la dent d'accrochage
 Levier de montée de cartouche
 Ressort du levier de montée de cartouche



Optional

- 9044 Mirino
- 9161 Calcioio
- 9182 Vite autoflettente
- 9173 Molla per sfere posizion. ceppiolotto
- 9174 Sfere posizionamento ceppiolotto
- 9175 Anello guide calcio
- 9181 Canne ceccio
- 9182 Calcio con impugnatura a pistola
- 9183 Impugnatura per calcio
- 9184 Anello di sicurezza
- 9185 Riduttore a tre colpi
- 9186 Anello lissaggio riduttore

Optional accessories

- Front sight
- Butt plate
- Self-threaded screw
- Cap retaining ball spring
- Cap retaining ball
- Ring
- Chamber
- Pistol-grip stock
- Grip
- Circlip
- Three round limiter
- Retaining ring

Options

- Guidon
- Pieque de couche
- Vis auto-taredeuse
- Resort bille d'arrêt du capuchon
- Bille d'arrêt du capuchon
- Anneau
- Canon
- Crosse a poignée pistolet
- Poignée
- Jonc d'arrêt
- Réducteur à trois coups
- Anneau de fixation réducteur